
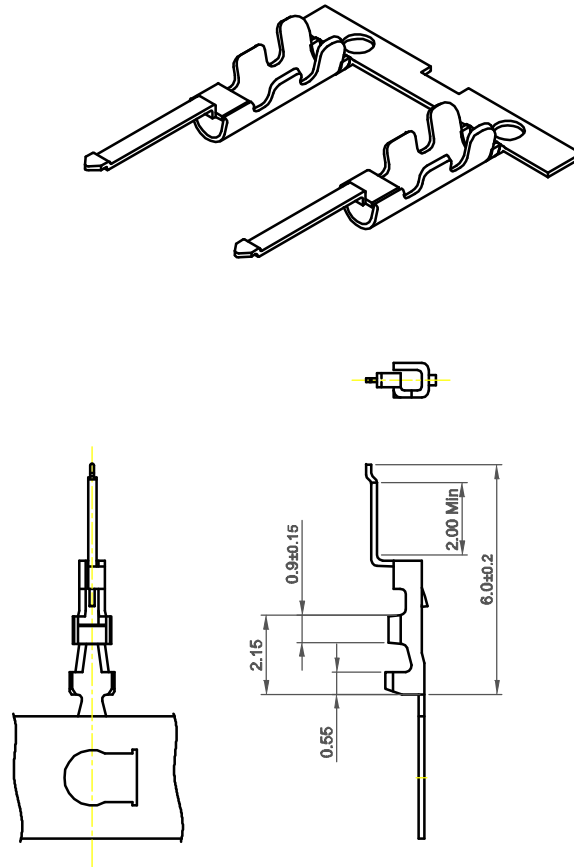



VIEW	TOLERANCE	
	0-10	±1
	11-250	±5
	251-500	±10
	501-1000	±20
UNIT: mm	1001-3000	±50
	3001-5000	±100
	5001- >	±150

△ Order Code : 1625-TS

**TTAF
APPROVAL**



Wire Range	Insulation O.D.	Metartal	Finish	Qty/reel
AWG#30..#36	0.75~0.25 mm	Phosphor Bronze&Brass	Tin-Plated	8.000 pcs

Date	03.11.2014	Rev.	-	Revision Detail		Rev.Dt.		Rev.by		Part No	
Designed by	Yeşim AKSOY									1625-TS	
Checked by	Fatih BOLACA										
										Drawing Nr.	-
										Scale	NONE
										Sheet No	1/1