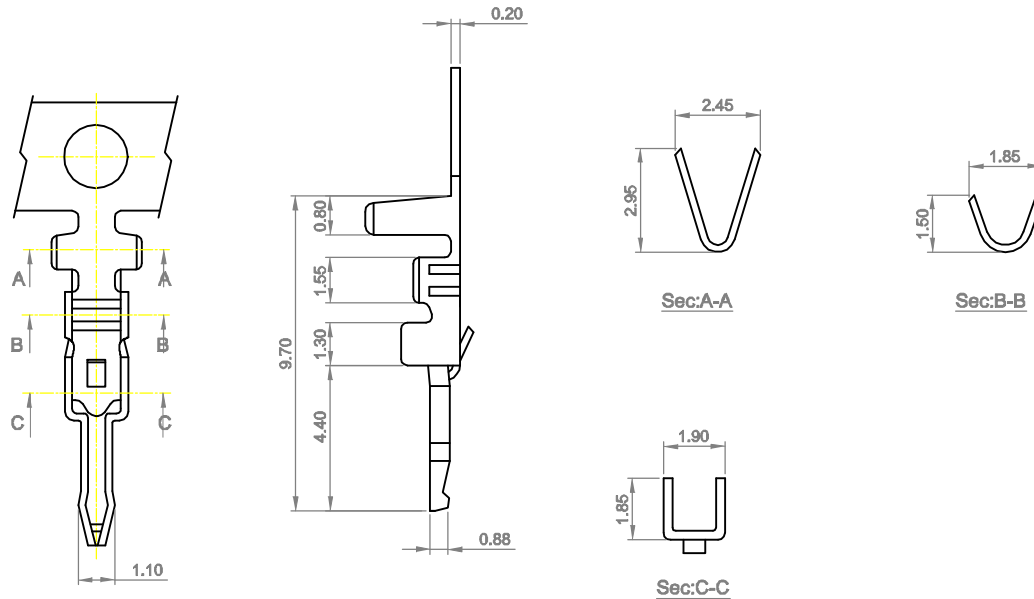


VIEW	TOLERANCE	
	0-10	±1
	11-250	±5
	251-500	±10
UNIT: mm	501-1000	±20
	1001-3000	±50
	3001-5000	±100
	5001- >	±150

△ Order Code : 1311-T

**TTAF
APPROVAL**



Specifications:

Voltage Rating : 250V AC,DC
 Current Rating : 3A AC / DC
 Withstanding Voltage : 800V AC/minute
 Insulation Resistance : ≥1000M Ω Min
 Temperature Range : -25 °C ~ + 85 °C
 Contact resistance : ≤10m Ω
 After environmental testing: ≤20m Ω

Wire Range	Insulation O.D.	Metartal	Finish	Qty/reel
AWG#22..#28	1.90 mm (max)	Phosphor Bronze&Brass	Tin-Plated	10.000 pcs

Date	03.11.2014	Rev.	Revision Detail	Rev.Dt.	Rev.by	Part No		
Designed by	Yeşim AKSOY	-				1311-T		
Checked by	Fatih BOLACA							
						Drawing Nr.	Scale	Sheet No
						-	NONE	1/1